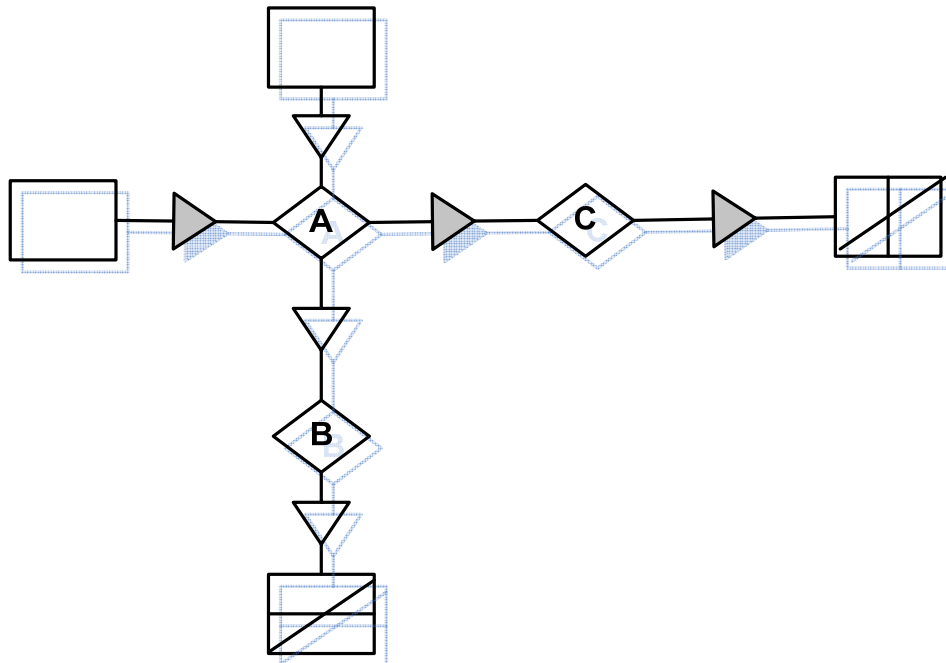
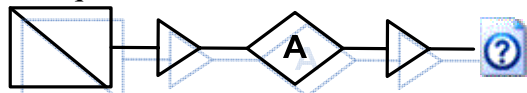


Example:



The question is:



The solution is:

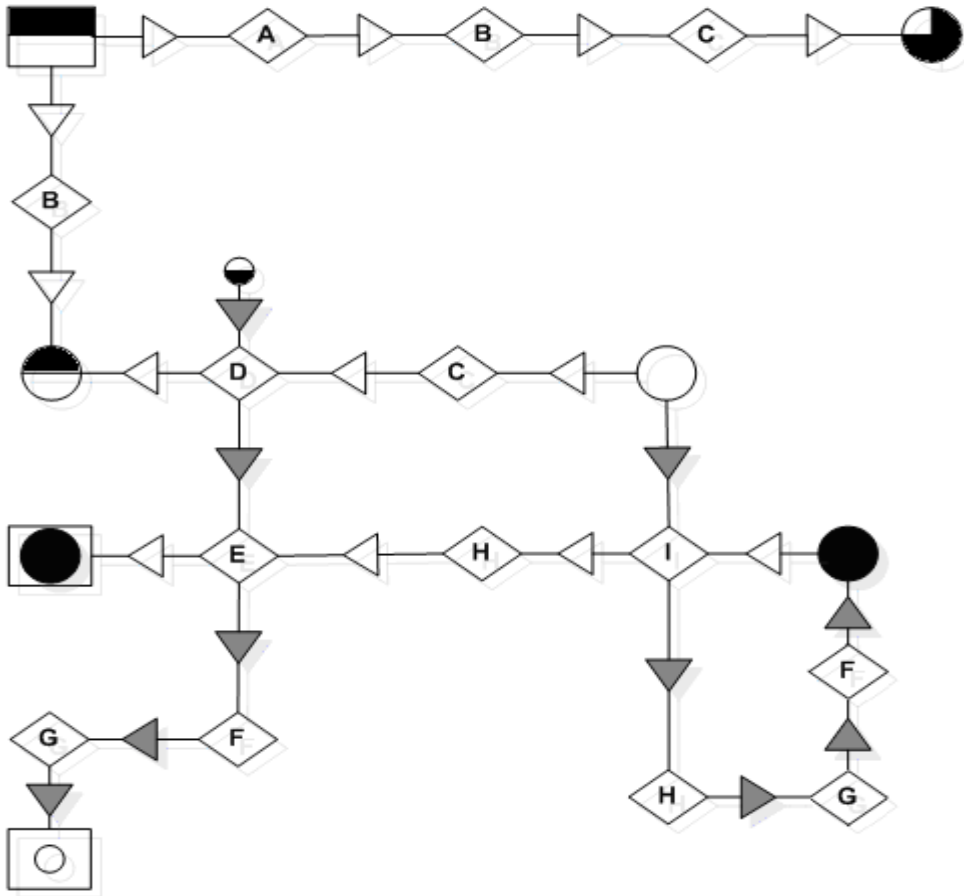


→ A job is to draw /.

Arrow with different colors performs specific job of the final product it leads to.

Here is the question:

Given:



What are ?

